

## Betingelser for kjøp av deler utenom garanti

Betingelser innkjøp deler

Minimumspris pr. del eksklusive MVA

kr 500,00

Eksklusive lokalfrakt Norge

Enkelte deler er ikke tilgjengelig. Flyfrakt, inkludert spedisjon kan komme i tillegg

Ved kjøp oppgi serienummer modell og år

Garantiperiode fra kjøpsdato

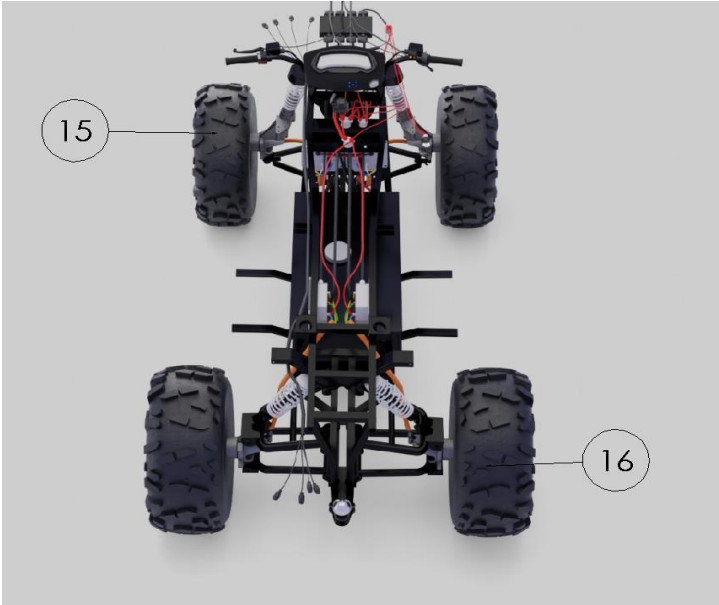
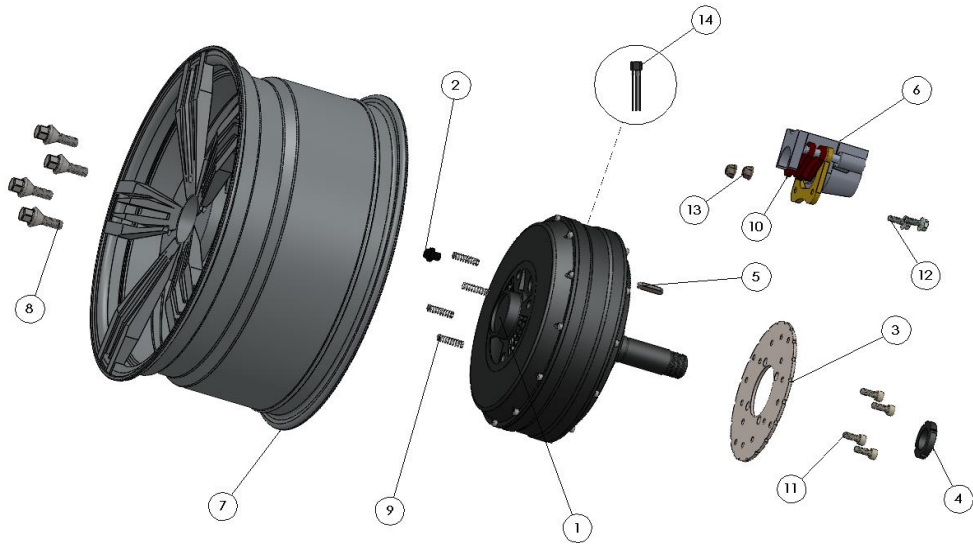
For garantibetingelser se vår hjemmeside [www.powerlandatv.no](http://www.powerlandatv.no)

Alle deler må bestilles skriftlig via mail

Motor Calliper Wheel					
SR NO.	REF NO	PART NUMBER	DESCRIPTION	QTY.	Eksl. MVA
1	1	201101	5 Kw Motor (PL5000)	1	kr 11 319
1,1	11	FAS-B-23	M8 X 20 X 1.25 (Hexagonal Socket Head Cap Bolt)	4	kr 10
2	2	20110101	Breather Valve	1	kr 606
3	3	201102	Brake Disc	1	kr 606
4	4	20110102	Motor Nut	1	kr 162
5	5	20110103	Key	1	kr 81
6	6	201217	Front Left Brake Calliper Assembly	1	kr 1 860
		201218	Front Right Brake Calliper Assembly	1	kr 1 860
		201219	Rear Left Brake Calliper Assembly	1	kr 1 860
		201220	Rear Right Brake Calliper Assembly	1	kr 1 860
6,1	12	FAS-B-06 / FAS-B-07	(R) M8 X 20 X 1.25 (Hexagonal Bolt with Flange) / (F) M8 X 25 X 1.25 (Hexagonal Bolt with Flange)	2	kr 10
6,2	13	FAS-N-08	M8 X1.25 Lock Nut with Flange	2	kr 8
7	7	202601	Front Alloy wheel (12X6)	2	kr 2 506
8	7	202603	Rear Alloy wheel (12X8)	2	kr 2 652
9	8	202605	Wheel Lug Bolts M12 X 26 mm	4	kr 101
10	9	20110104	Spring Sleeve	4	kr 81
11	10	20121701	Brake Pad Set	4	kr 243
12	14	20110105	Motor Hall Sensor	3	kr 30
13	15	202602	Front Tyre 25 X 8 -12	2	kr 2 628
14	16	202604	Rear Tyre 25 X 10 -12	2	kr 3 234

Vennligst les betingelser for kjøp

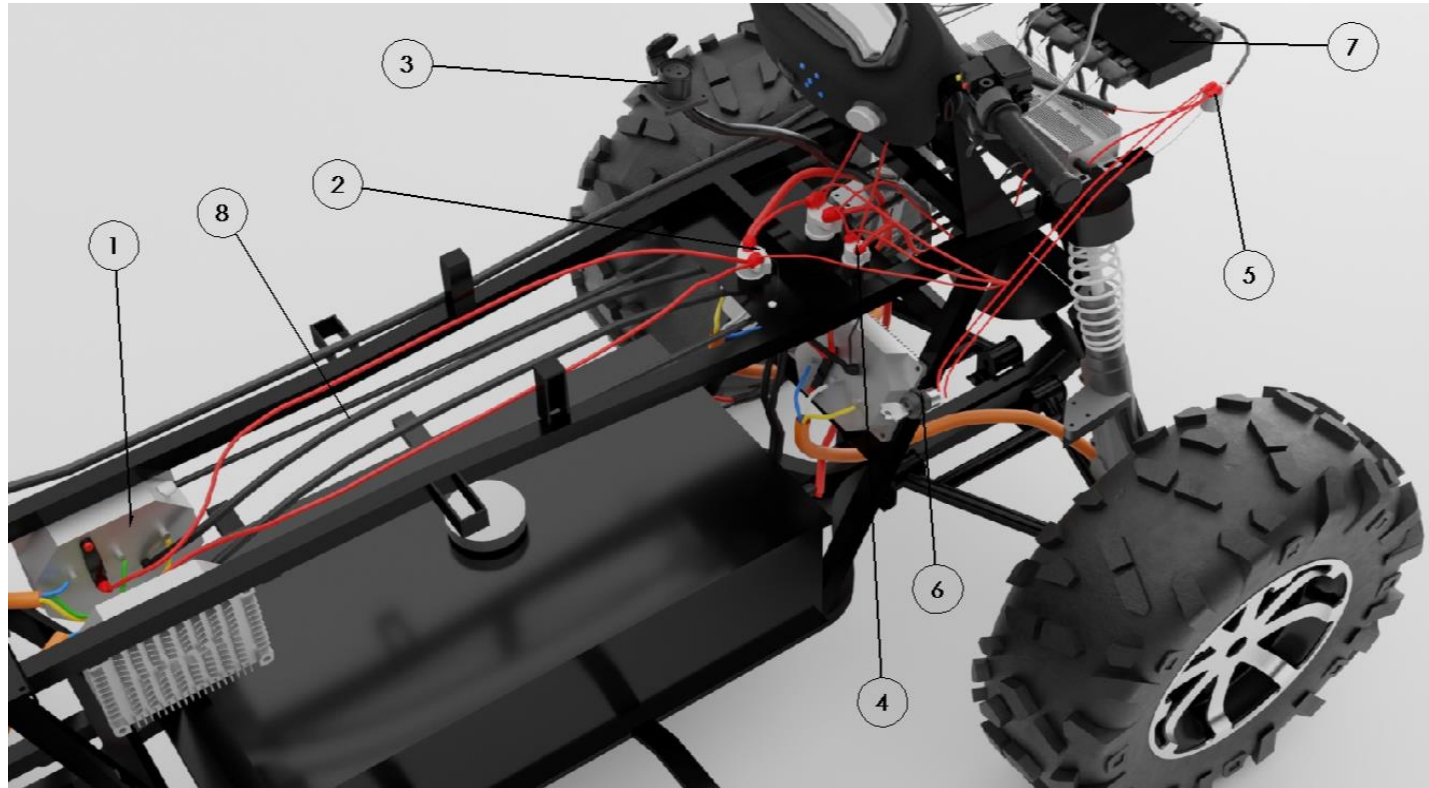
Motor Calliper Wheel



Electrical Electronics						
SR NO.	REF. NO	PART NUMBER	DESCRIPTION	QTY.	Eksl. MVA	Note
1	1	201401	Motor Controller (FL/FR/RL/RR)	4	kr 11 117	
2	2	201404	Main Contactors	2	kr 1 617	
3	3	ELC-CON-11F	Charger socket	1	kr 606	RotaryType
		ELC-CON-11F(A)	Charger socket set	1	kr 606	Flip Type
4	4	201405	Ignition Relay	1	kr 1 011	
5	5	201408	Relay for Positive Hub	1	kr 162	
6		201407	Relay for Negative Hub	1	kr 162	
7		201409	Relay Holder	1	kr 73	
8		6	20210208	Ignition key switch Assy	1	kr 728
9	7	202031	VCU	1	kr 4 043	
10		201402	Reverse Buzzer	1	kr 243	
11		201406	12-V DC-DC Converter	1	kr 3 234	
12		201403	Horn	1	kr 202	
13		20201101	Power Cable 1 +ve (Battery to Contactor 1)	1	kr -	
14		20201102	Power Cable 2 +ve (Contactor 1 to Rear L/R Controller)	1	kr -	
15		20201103	Power Cable 3 +ve (Contactor 1 to Contactor 2)	1	kr -	
16		20201104	Power Cable 4 +ve (Contactor 2 to Front Left Controller)	1	kr -	
17		20201104(A)	Power Cable 4 +ve (Contactor 2 to Front Controllers)	1	kr -	For new Controllers
18		20201105	Power Cable 5 +ve (Front Left Controller to Front Right Controll	1	kr -	N.A for new controllers
19		20201106	Power Cable 6 +ve (Contactor 2 to Ignition Relay)	1	kr -	
20		20201107	Power Cable 1 -ve (Battery -ve to Front L/R Controller)	1	kr -	
21		20201108	Power Cable 2 -ve (Front Right Controller to Rear Right Controll	1	kr -	
22		20201109	Power Cable 3 -ve (Rear Right Controller to Rear Left Controller	1	kr -	
23		20201110	Power Cable 1 -ve (Front Left Controller to Negative Hub relay)	1	kr -	
		20201301	Kelly Left Rear controller wiring	1	kr -	
24		20201302	Kelly Right Rear controller wiring	1	kr -	
25		20201303	Kelly Left Front controller wiring	1	kr -	
		20201304	Kelly Right Front controller wiring	1	kr -	
		202014	Power port Wiring	1	kr -	
		202015	Switch port wiring	1	kr -	
16		202016	Screen port wiring	1	kr -	
17		202019	12 V VEHICLE HARNESS	1	kr -	
18		202020	Gear Switch Wiring	1	kr -	
28		201410	Bluetooth Dongle/ Controller diagnostic tool	1	kr 1 415	
31	8		Vehicle Wiring Set	1	kr 4 043	

Vennligst les betingelser for kjøp

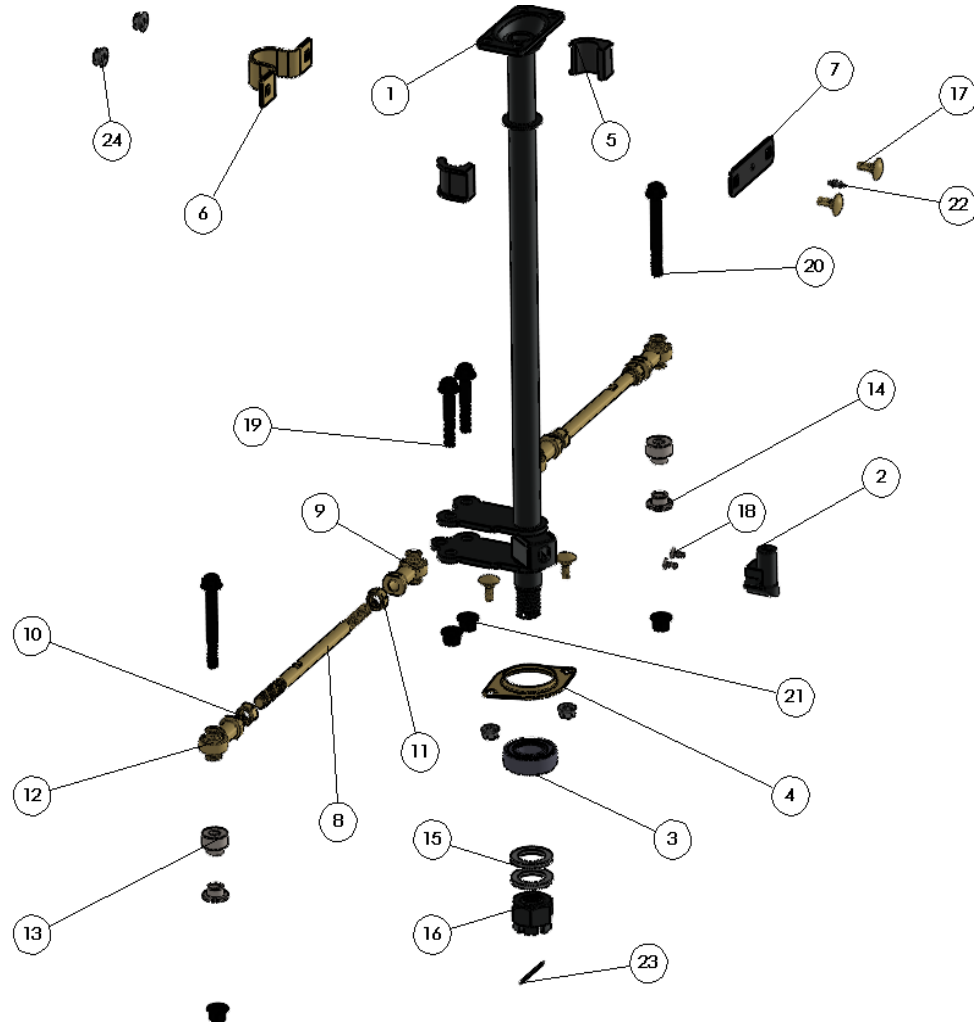
## Electrical Electronics



Steering						
SR. NO.	REF. NO.	PART NUMBER	DESCRIPTION	QTY.	Eksl. MVA	
1	1	200304	Steering Column	1	kr	516
1,1	15	FAS-W-07	M26 X 40 X 4 Plain Washer	2	kr	10
1,2	16	200305	Steering column nut	1	kr	81
1,3	23	200311	Cotter Pin for Steering Column	1	kr	8
2	2	200303	Steering Lock	1	kr	364
2,1	18	FAS-S-04	M5 X 12 X 0.8 (CSK Allen Bolt, SS Grade)	2	kr	5
3	3	200306	Steering column bearing (CS205)	1	kr	889
4	4	200307	Steering Column Retainer	1	kr	49
4,1	17	FAS-B-25	M8 X 20 X 1.25 (Carriage Bolt/ Cap Head Square Neck Bolt)	2	kr	10
4,2	24	FAS-N-08	M8 X1.25 Lock Nut with Flange	2	kr	8
5	5	200308	Steering column rubber bush	2	kr	20
6	6	200310	Steering Column Clamp	1	kr	44
6,1	17	FAS-B-25	M8 X 20 X 1.25 (Carriage Bolt/ Cap Head Square Neck Bolt)	2	kr	49
6,2	24	FAS-N-08	M8 X1.25 Lock Nut with Flange	2	kr	8
7	7	200309	Steering column Rubber pad	1	kr	8
8	8	200312	Tie Rod	2	kr	728
8,1	10	FAS-N-12	M12 X 1.75 Jam Nut - LH	2	kr	36
8,2	11	FAS-N-13	M12 X 1.75 Jam Nut - RH	2	kr	32
9	9	200313	Tie Rod End A	2	kr	323
9,1	19	FAS-B-15	M10 X 55 X 1.25 (Hexagonal Bolt with Flange)	2	kr	32
9,2	21	FAS-N-10	M10X1.25 Lock Nut with Flange	2	kr	14
10	12	200314	Tie Rod End B	2	kr	323
10,1	20	FAS-B-18	M10 X 80 X 1.25 (Hexagonal Bolt with Flange)	2	kr	38
10,2	21	FAS-N-10	M10X1.25 Lock Nut with Flange	2	kr	10
11	13	200315	Strut Body Tie Rod End Upper Bush	2	kr	81
12	14	200316	Strut Body Tie Rod End Lower Bush	2	kr	73
13	22	GN-01	Grease Nipple M5	1	kr	19

Vennligst les betingelser for kjøp

# Steering

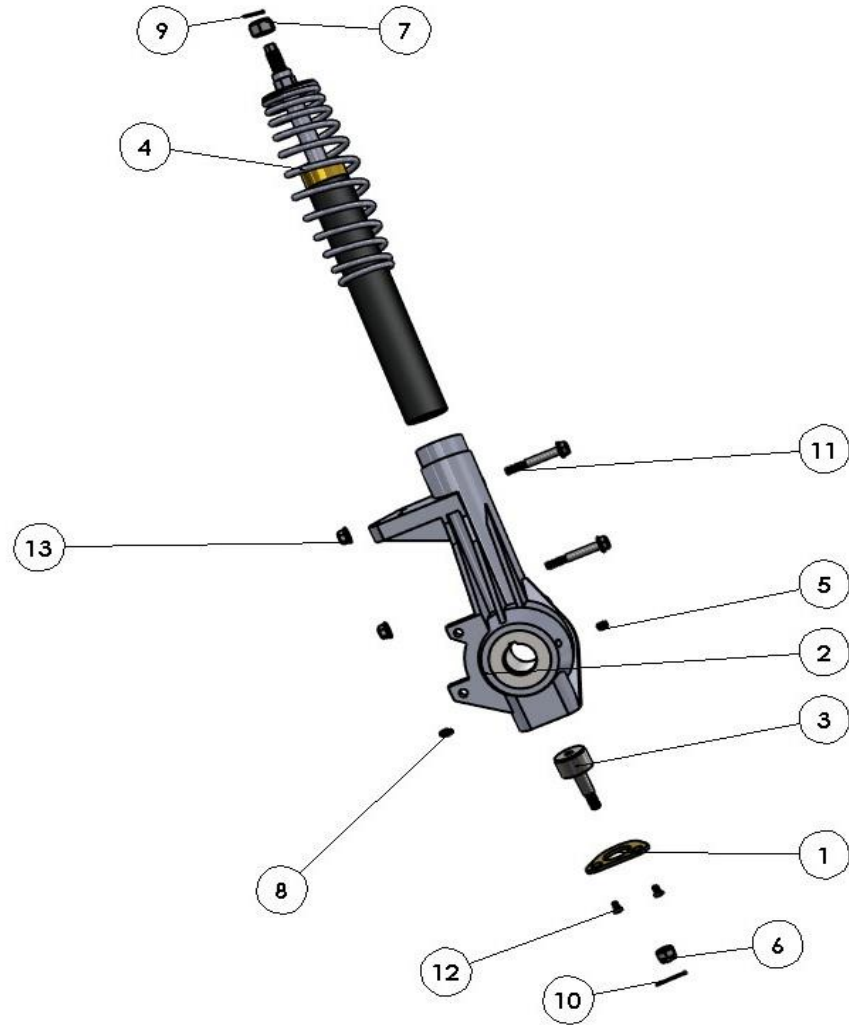


Front Suspension					
SR. NO.	REF. NO	PART NUMBER	DESCRIPTION	QTY.	Eksl. MVA
1	1	200607	Ball joint mounting bracket	1	kr 119,66
1,1	12	FAS-S-10	M6 X10X1.0 (CSK-Socket Head, SS Grade)	2	kr 6,06
2	2	200602/200603	Strut body (Left / Right)	1	kr 2 344,65
0,3	11	FAS-B-12	M8 X 60 X 1.25 (Hexagonal Bolt with Flange)	2	kr 12,13
2,2	5	FAS-GS-01	M8 X 1.25 Grub Screws (Hexagonal Socket Set Screws)	1	kr 6,06
2,3	13	FAS-N-08	M8 X 1.25 Lock Nut with Flange	2	kr 8,09
2,4	8	GN-01	Grease Nipple M5	1	kr 18,60
3	3	200606	Ball joint stud	1	kr 160,08
3,1	6	FAS-N-11	M10 X 1.25 Castle Nut	1	kr 18,19
3,2	10	FAS-CP-02	Cotter pin 2.5 X 28	1	kr 4,04
4	4	200601	Front shock absorbers	1	kr 1 414,88
4,1	7	FAS-N-14	M14 X 1.6 NYLock Nuts	1	kr 48,51
4,2	9	FAS-CP-01	Cotter pin 2.5 X 25	1	kr 4,04

Vennligst les betingelser for kjøp

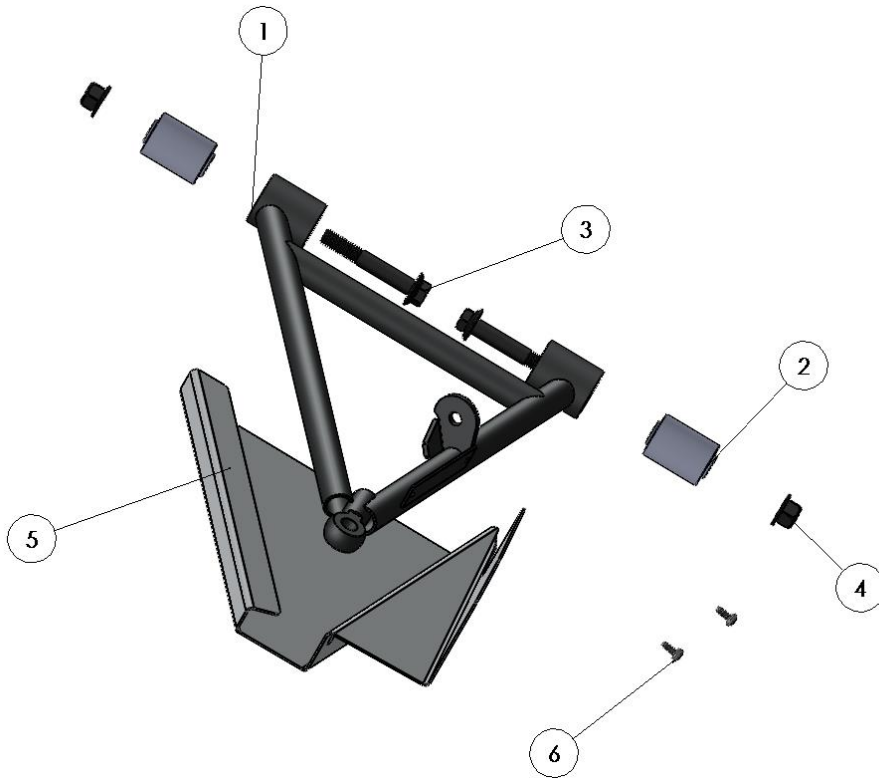


# Front Suspension



Front Arm					
SR NO.	REF NO.	PART NUMBER	DESCRIPTION	QTY.	Eksl. MVA
1	1	200501 / 200502	Front Left lower arm / Front Right lower arm	1	kr 418,80
2	2	200503	Lower Arm bush	2	kr 97,02
2,1	3	FAS-B-26	M12 X 75 X 1.25 (Hexagonal Bolt with Flange)	2	kr 40,43
2,2	4	FAS-N-16	M12 X 1.25 Lock Nut with Flange	2	kr 14,15
5	5	203001/2003002	Front Lower arm skid plate LHS/Front Lower arm skid plate RHS	1	kr 396,17
5,1	6	FAS-S-03	M5 X 10 X 0.8(Cross Recessed Pan Head Screws)	2	kr 4,04

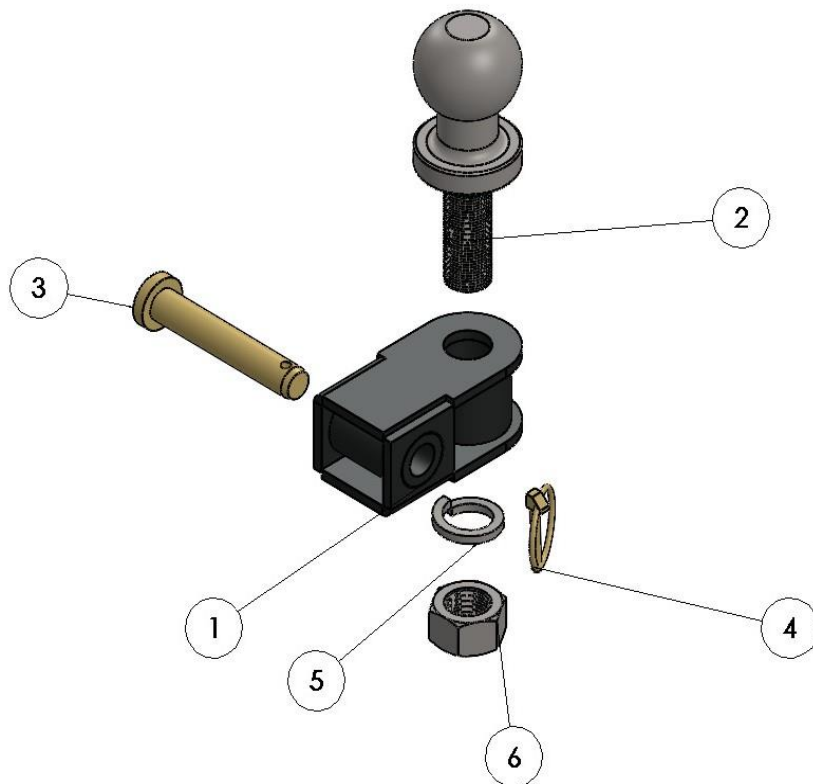
Vennligst les betingelser for kjøp



### Tow Ball

SR. NO.	REF. NO.	PART NUMBER	DESCRIPTION	QTY.	Eksl. MVA
1	1	202701	Tow Ball Holder	2	kr 768,08
2	2	202702	Tow Ball	1	kr 444,68
2,1	5	20270101	Spring Washer for Tow Ball	1	kr 20,21
2,2	6	20270102	Tow ball nut	1	kr 161,70
3	3	202703	Tow Ball Pin Ø15.7 x 88 mm	1	kr 60,64
4	4	202704	Tow Ball Pin Lock Ø4.5 x 35 mm	1	kr 24,26

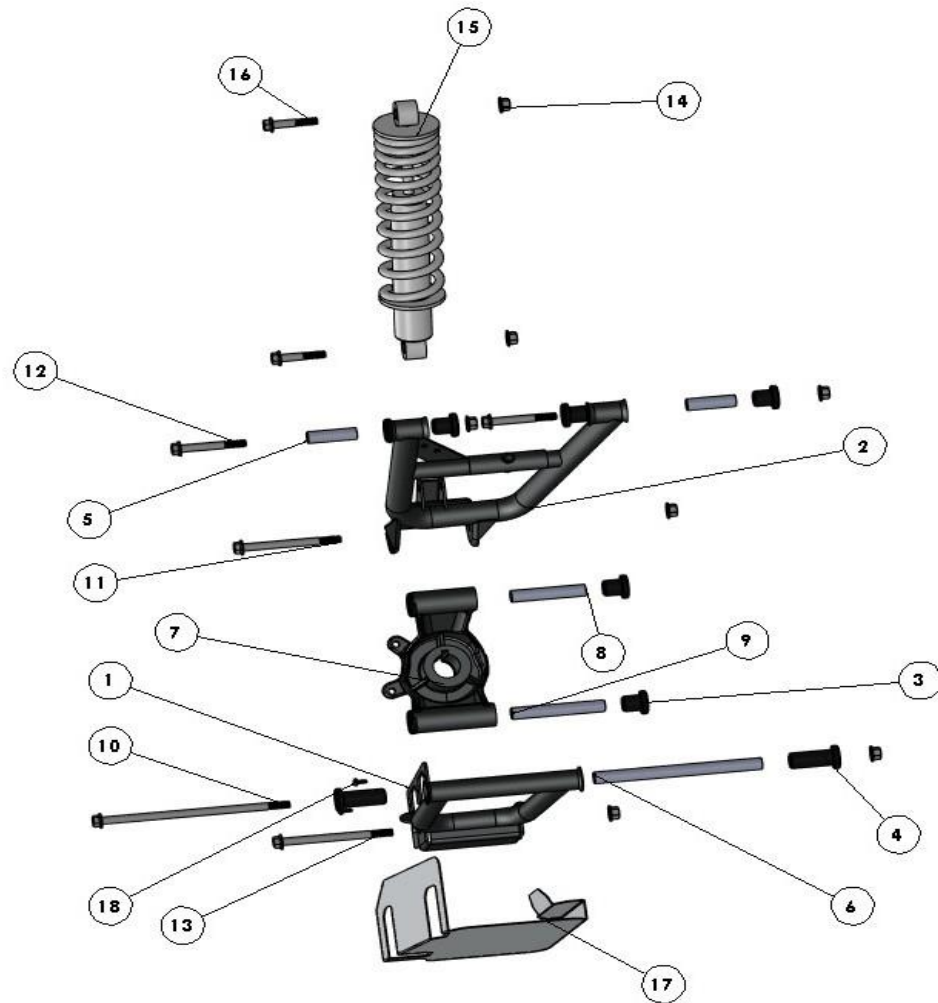
Vennligst les betingelser for kjøp



<b>Rear Arm Hub Suspension</b>					
<b>SR. NO.</b>	<b>REF. NO.</b>	<b>PART NUMBER</b>	<b>DESCRIPTION</b>	<b>QTY.</b>	<b>Ekst. MVA</b>
<b>1</b>	<b>1</b>	200703 / 200704	Rear lower arm Left / Rear lower arm Right	1	kr 493
1,1	10	FAS-B-22	M10 X 230 X 1.25 (Hexagonal Bolt with Flange)	1	kr 65
1,2	14	FAS-N-10	M10X1.25 Lock Nut with Flange	1	kr 10
<b>2</b>	<b>2</b>	200701 / 200702	Rear upper arm Left / Rear upper arm Right	1	kr 635
2,1	12	FAS-B-18	M10 X 80 X 1.25 (Hexagonal Bolt with Flange)	2	kr 61
2,2	14	FAS-N-10	M10X1.25 Lock Nut with Flange	2	kr 10
<b>3</b>	<b>3</b>	200709	Bush Type A	16	kr 61
<b>4</b>	<b>4</b>	200710	Bush Type B	2	kr 85
<b>5</b>	<b>5</b>	200706	Sleeve Bush for upper arm	2	kr 117
<b>6</b>	<b>6</b>	200705	Sleeve Bush for lower arm	1	kr 166
<b>7</b>	<b>7</b>	201001/201002	Rear knuckle Motor hub Left / Rear knuckle Motor hub Right	1	kr 2 021
7,1	11	FAS-B-20	M10 X 120 X 1.25 (Hexagonal Bolt with Flange)	1	kr 36
7,2	13	FAS-B-21	M10 X 135 X 1.25 (Hexagonal Bolt with Flange)	1	kr 40
7,3	14	FAS-N-10	M10X1.25 Lock Nut with Flange	2	kr 10
<b>8</b>	<b>8</b>	200707	Sleeve Bush for Knuckle(upper)	1	kr 87
<b>9</b>	<b>9</b>	200708	Sleeve Bush for Knuckle(Lower)	1	kr 104
<b>10</b>	<b>15</b>	200801	Rear Shock Absorbers	1	kr 1 334
10,1	16	FAS-B-15	M10 X 55 X 1.25 (Hexagonal Bolt with Flange)	2	kr 44
10,2	14	FAS-N-10	M10X1.25 Lock Nut with Flange	2	kr 10
<b>11</b>	<b>17</b>	203003/203004	Rear Lower arm skid plate (L) / Rear Lower arm skid plate (R)	1	kr 356
11,1	18	FAS-S-03	M5 X 10 X 0.8(Cross Recessed Pan Head Screws)	2	kr 3

**Vennligst les betingelser for kjøp**

## Rear Arm Hub Suspension



<b>Handlebar</b>					
<b>SR NO.</b>	<b>REF. NO.</b>	<b>PART NUMBER</b>	<b>DESCRIPTION</b>	<b>QTY.</b>	<b>Eksl. MVA</b>
1	1	202317	Handlebar Grip	1	kr 40,43
2	2	200402	Handlebar	1	kr 404,25
3	3	202303	Rear Speedometer Cover	1	kr 161,70
3,1		FAS-B-01	M6 X 16 X 1.0 (Hexagonal Bolt with Flange)	3	kr 8,09
4	4	202301	Speedometer (CT-22)	1	kr 3 031,88
4,1		FAS-N-06	M6 X 1.0 Lock Nut with Flange	2	kr 4,04
5	5	202302	Front Speedometer Cover	1	kr 404,25
6	6	202311/202312	Left side view mirror / right side view mirror	1/1	kr 160,08
7	7	202308/202309	Left knuckle guard/ right knuckle guard	1/1	kr 234,47
7,1		FAS-S-09	M5 X 16 X 0.8(Cross Recessed Pan Head Tapping Screws)	4	kr 3,64
8	9	200404	Speedometer bracket	1	kr 444,68
9	10	200403	Handlebar clamp up	2	kr 125,32
10	11	200401	Handlebar clamp Down	2	kr 153,62
11	8	FAS-B-13	M8 X 95 X1.25 (Hexagonal Bolt with Flange)	4	kr 26,28
12	12	FAS-N-08	M8 X1.25 Lock Nut with Flange	4	kr 8,09

**Vennligst les betingelser for kjøp**

# Handlebar



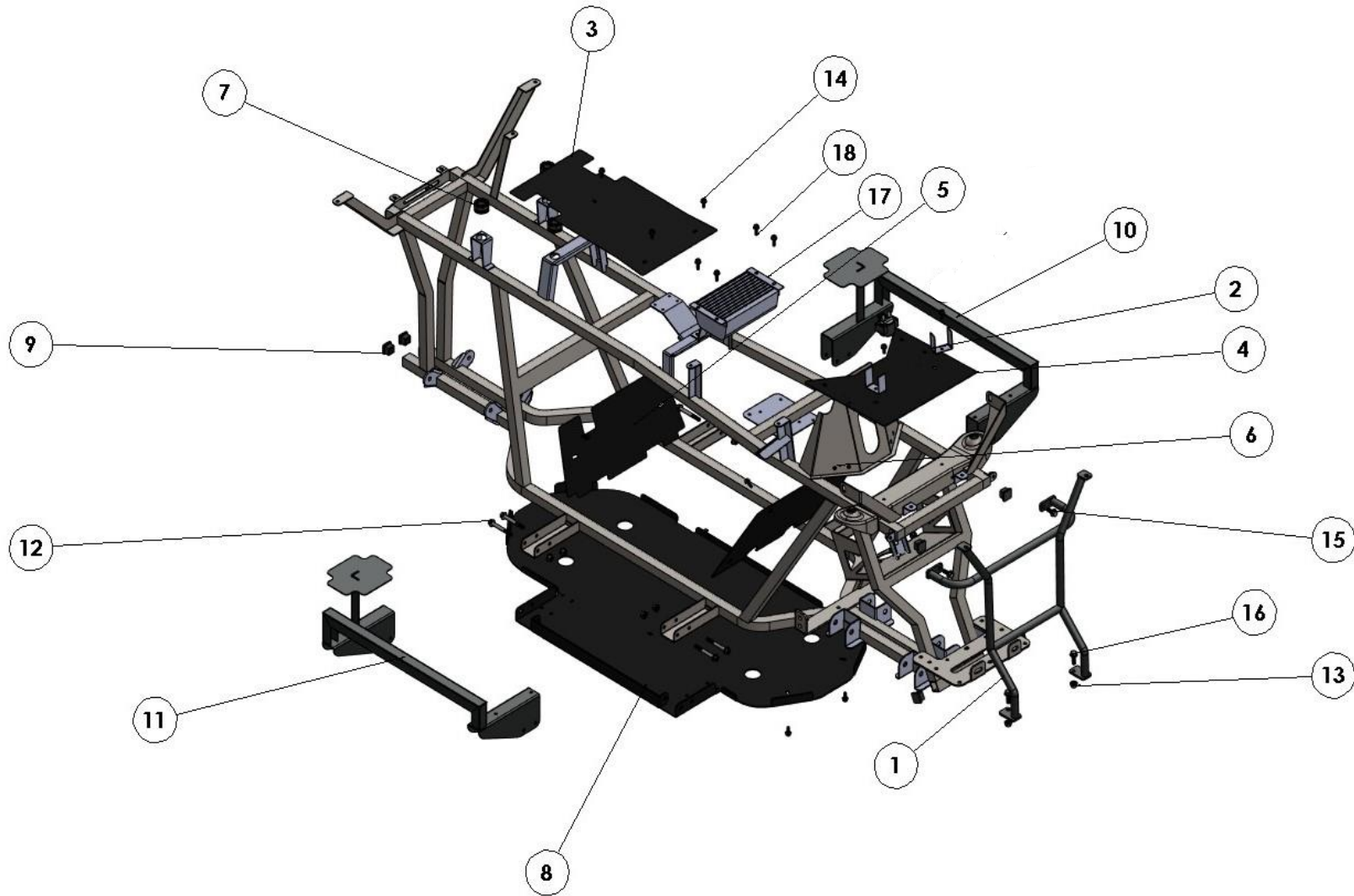
### Chassis Guards Footrest Front Gua

SR NO.	REF. NO.	PART NUMBER	DESCRIPTION	QTY.	Ekst. MVA
1	1	201601	FRONT GUARD	1	kr 1 536
1,1	15	FAS-B-06	M8 X 20 X 1.25 (Hexagonal Bolt with Flange)	2	kr 9
1,2	16	FAS-B-07	M8 X 25 X 1.25 (Hexagonal Bolt with Flange)	2	kr 10
1,3	13	FAS-N-08	M8 X1.25 Lock Nut with Flange	2	kr 8
2	2	201409	Relay holder	2	kr 61
3	3	201304	Rear Top chassis cover	1	kr 121
3,1	14	FAS-B-01	M6 X 16 X 1.0 (Hexagonal Bolt with Flange)	3	kr 4
4	4	201303	Front Top chassis cover	1	kr 81
4,1	14	FAS-B-01	M6 X 16 X 1.0 (Hexagonal Bolt with Flange)	2	kr 4
5	5	201302	Rear Centre Lower Cover	1	kr 61
5,1	14	FAS-B-01	M6 X 16 X 1.0 (Hexagonal Bolt with Flange)	2	kr 4
6	6	201301	Front Centre Lower Cover	1	kr 61
6,1	14	FAS-B-01	M6 X 16 X 1.0 (Hexagonal Bolt with Flange)	4	kr 4
7	7	200302	Seat mounting Rubber Bush Inserts (12x23/25x24)	4	kr 32
8	8	203005	BASE SKID PLATE	1	kr 243
8,1	14	FAS-B-01	M6 X 16 X 1.0 (Hexagonal Bolt with Flange)	6	kr 4
9	9	200301	Rubber Bush Inserts for Chassis Tube (25x25x16)	6	kr 19
10	10	201901	LEFT FOOTREST	1	kr 1 455
10,1	12	FAS-B-12	M8 X 60 X 1.25 (Hexagonal Bolt with Flange)	4	kr 29
10,2	13	FAS-N-08	M8 X1.25 Lock Nut with Flange	4	kr 10
11	11	201902	RIGHT FOOTREST	1	kr 1 455
11,1	12	FAS-B-12	M8 X 60 X 1.25 (Hexagonal Bolt with Flange)	4	kr 29
11,2	13	FAS-N-08	M8 X1.25 Lock Nut with Flange	4	kr 8
12	17	201406	12V Converter	1	kr 3 234
12,1	18	FAS-B-01	M6 X 16 X 1.0 (Hexagonal Bolt with Flange)	2	kr 8

**Vennligst les betingelser for kjøp**



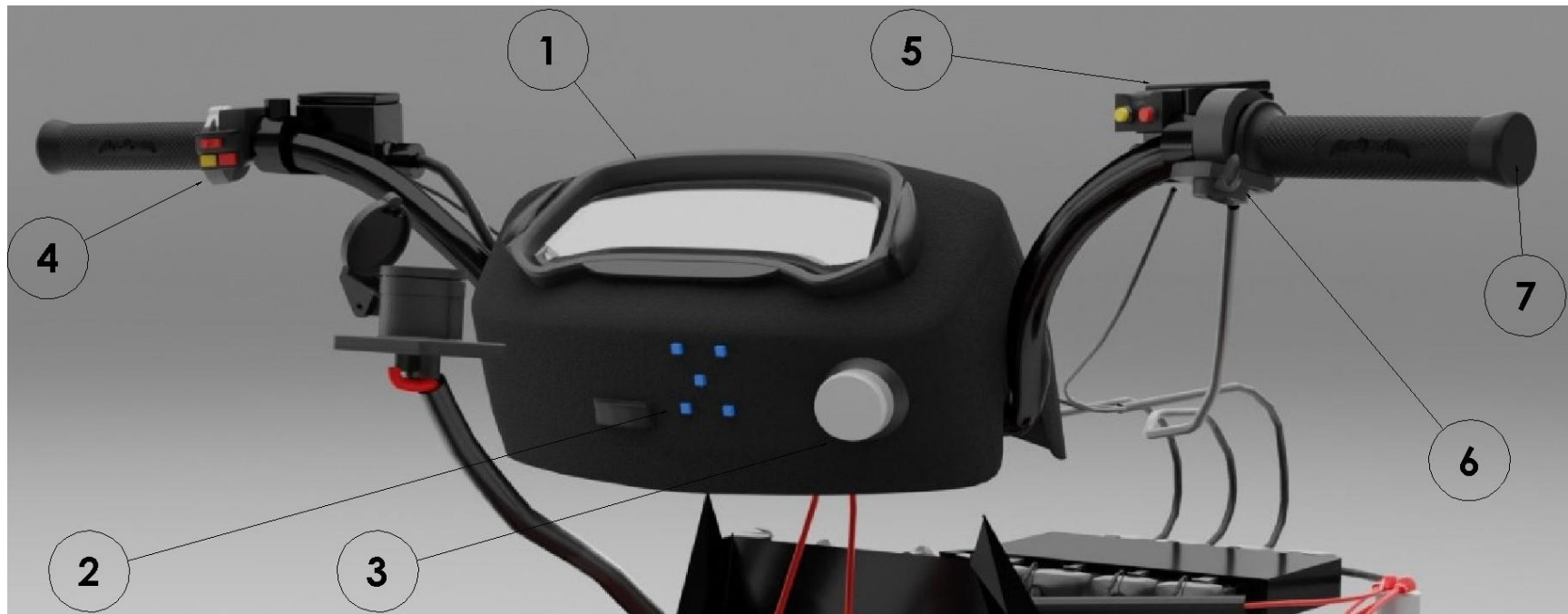
# Chassis Guards Footrest Front Gua



### Dashboard assembly

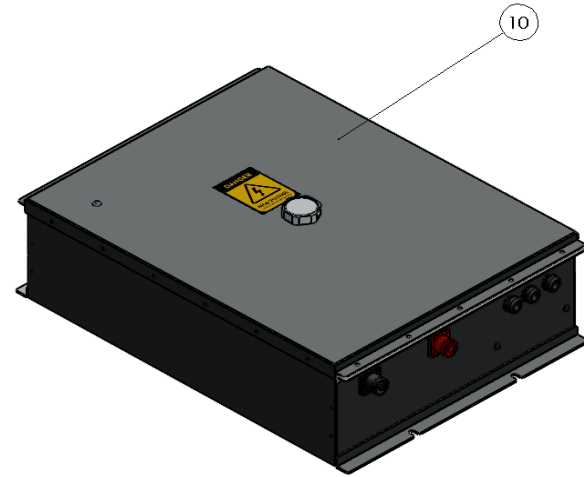
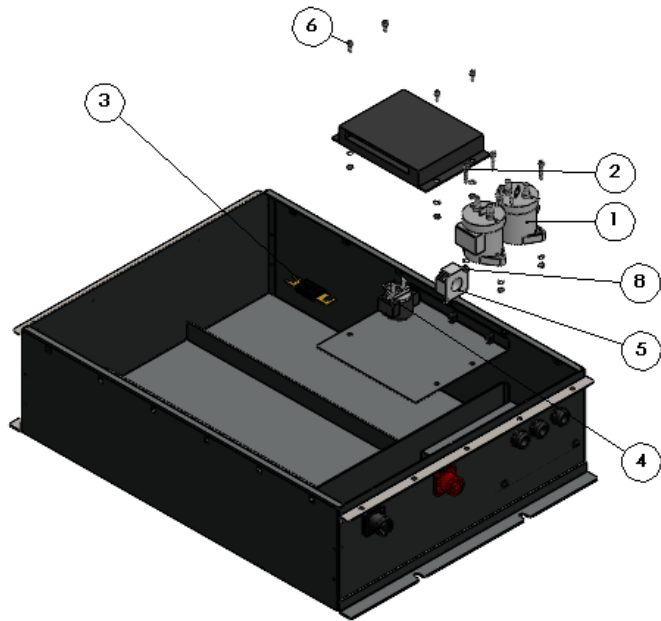
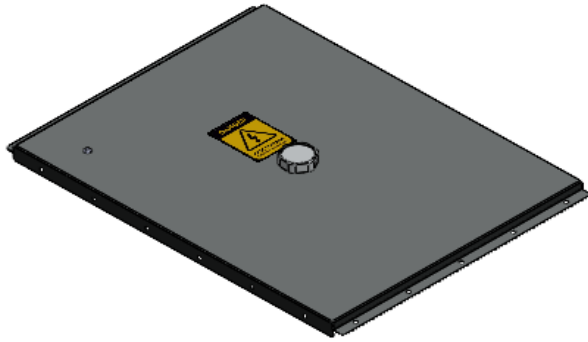
SR NO.	REF. NO.	PART NUMBER	DESCRIPTION	QTY.	Eksl. MVA
1	1	202304	Top Speedometer cover	1	121
1,1		FAS-S-09	M5 X 16 X 0.8(Cross Recessed Pan Head Tapping Scre	4	4
2	2	202021	VIU (Vehicle Information Unit)	1	323
2,1		FAS-S-01	M4 X 20 X 0.7 Bolt (CSK-Socket Head, SS Grade)	2	2
2,2		FAS-W-01	M4 Plain Washer, SS Grade	2	2
2,3		FAS-N-01	M4 X 0.7 Hexagonal Nut (SS Grade)	2	2
3	3	202306	Gear switch	1	485
4	4	202313	Left switch assembly	1	1011
5	5	202314	2wd/4wd Switch assembly	1	606
6	6	202315	Electronic Throttle	1	728
7	7	202316	Handlebar End Assembly	1	141

Vennligst les betingelser for kjøp





# Battery



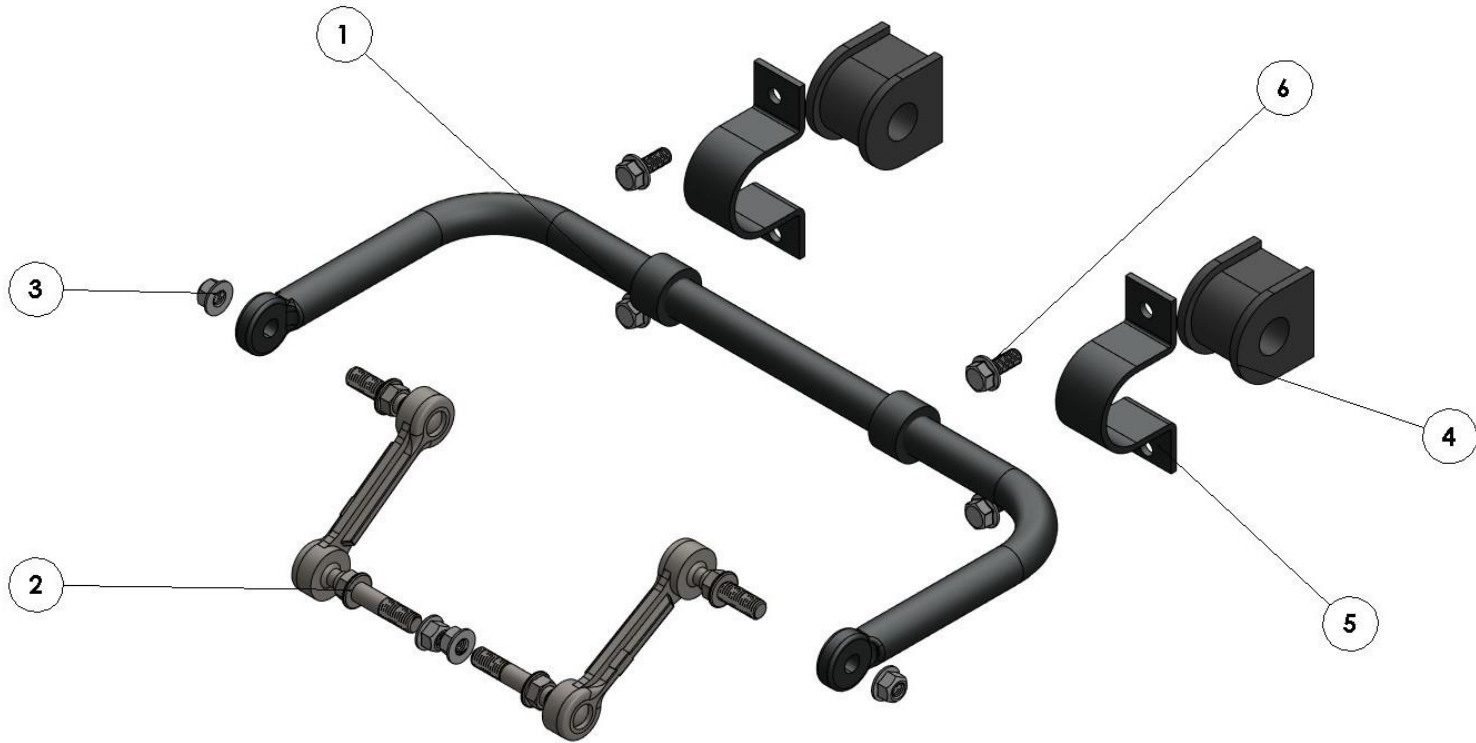
Cell: D7

Comment: BMS (Battery Management System)

QUCC - QJ-1724U4CB

Rear Stabelizer bar						
SR NO.	REF. NO.	PART NUMBER	DESCRIPTION	QTY.	Unit Price in USD	Eksl. MVA
1	1	200901	Stabilizer bar	1	16	kr 647
2	2	200904	Rear Stabilizer bar Linkages	2	19	kr 768
2,1	3	FAS-N-08	M8 X1.25 Lock Nut with Flange	4	0,20	kr 8
4	4	200902	Rear Stabilizer bar Bushes	2	1,20	kr 49
5	5	200903	Rear Stabilizer bar Bush Brackets	2	2	kr 81
5,1	6	FAS-B-06	M8 X 20 X1.25 (Hexagonal Bolt with Flang	4	0,22	kr 9

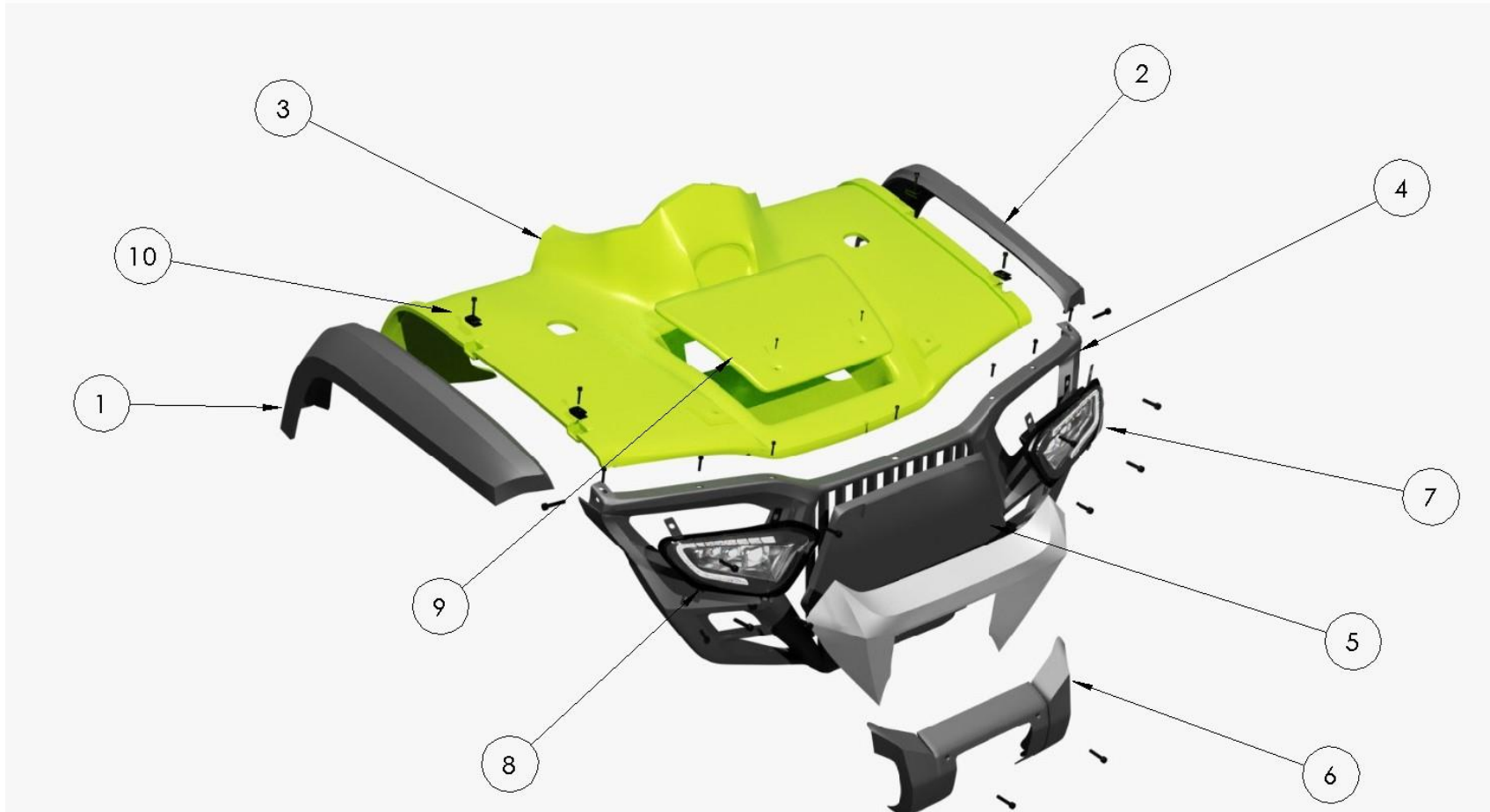
Vennligst les betingelser for kjøp



Front Fender					
SR NO.	REF. NO.	ART NUMBE	DESCRIPTION	QTY.	Eksl. MVA
1	1	20220104	Front Right Extended Fender	1	kr 299
2	2	20220105	Front Left Extended Fender	1	kr 299
3	3	202201	Front fender	1	kr 3 436
3,1		FAS-S-11	M6 X10X1.0 (Cross Recessed Pan Head Screws)	18	kr 3
3,2	10	FAS-N-15	M6 x 1.0 Clip Nut	28	kr 6
3,3		FAS-B-05	M8 X 15 X 1.25 (Hexagonal Bolt with Flange)	2	kr 8
4	4	20220101	Front Ventilation Grill	1	kr 647
4,1		FAS-S-11	M6 X10X1.0 (Cross Recessed Pan Head Screws)	2	kr 3
5	5	202202	Front Decorative Grill	1	kr 728
6	6	202203	Winch Cover	1	kr 323
7	7	20220106	Headlight Assembly LHS	1	kr 4 043
7,1		FAS-S-12	M6 X 16 X 1.0 (Cross Recessed Pan Head Screws)	4	kr 3
8	8	20220107	Headlight Assembly RHS	1	kr 4 043
8,1		FAS-S-12	M6 X 16 X 1.0 (Cross Recessed Pan Head Screws)	4	kr 4
9	9	20220111	Centre Panel Front Fender	1	kr 606
9,1		FAS-S-12	M6 X 16 X 1.0 (Cross Recessed Pan Head Screws)	2	kr 4

Vennligst les betingelser for kjøp

## Front Fender





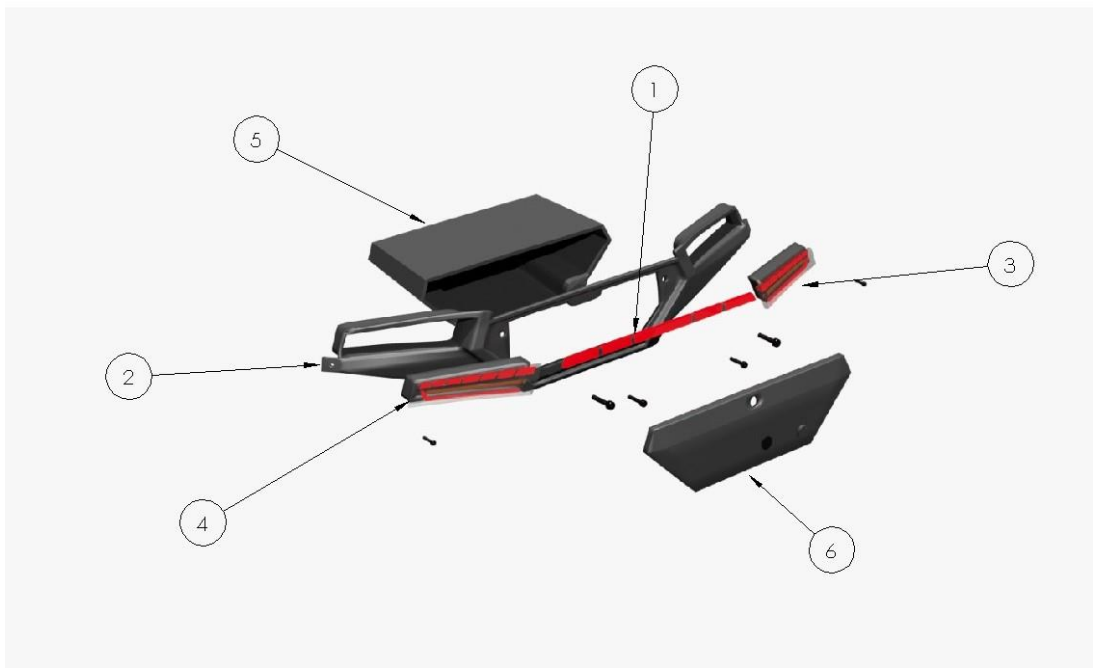
Seat Tank					
SR NO.	REF. NO.	PART NUMBER	DESCRIPTION	QTY.	Eksl. MVA
1	1	2025	Vehicle Seat	1	kr 4 043
2	2	20220902	Tank Right Panel	1	kr 299
2,1		FAS-N-15	M6 x 1.0 Clip Nut	3	kr 6
3	3	20220903	Tank Left Panel	1	kr 299
3,1		FAS-N-15	M6 x 1.0 Clip Nut	3	kr 6
4	4	20220901	Tank Centre Piece	1	kr 768
4,1		FAS-S-11	M6 X 10 X 1.0 (Cross Recessed Pan Head Screws)	6	kr 3
5	5	20220111	Centre Panel Front Fender	1	kr 146
6	6	202210	Steering Column Cover	1	kr 36
6,1		FAS-S-09	M5 X 16 X 0.8(Cross Recessed Pan Head Tapping S	2	kr 4

Vennligst les betingelser for kjøp



Taill ight Toolbox					
SR NO.	REF. NO.	PART NUMBER	DESCRIPTION	QTY.	Eksl. MVA
1	1	20220602	Rear Reflector Strip (Long)	1	kr 101
1,1		FAS-S-08	M5 X 10 X 0.8(Cross Recessed Pan Head Tapping Screws)	2	kr 3
2	2	20220601	Tailight Panel	1	kr 424
2,1		FAS-S-11	M6 X 10 X 1.0 (Cross Recessed Pan Head Screws)	5	kr 3
2,2		FAS-S-12	M6 X 16 X 1.0 (Cross Recessed Pan Head Screws)	2	kr 4
3	3	20210107	Tailight Assembly RHS	1	kr 1 819
3,1		FAS-S-12	M6 X 16 X 1.0 (Cross Recessed Pan Head Screws)	3	kr 4
4	4	20220607	Tailight Assembly RHS	1	kr 1 819
4,1		FAS-S-12	M6 X 16 X 1.0 (Cross Recessed Pan Head Screws)	3	kr 4
5	5	20220603	Toolbox	1	kr 485
6	6	20220608	ToolBox Cover	1	kr 202
6,1		FAS-N-15	M6 X1.0 Clip Nut	2	kr 6
6,2		FAS-S-09	M5 X 16 X 0.8(Cross Recessed Pan Head Tapping Screws)	2	kr 4
6,3		FAS-B-01	M6 X 16 X 1.0 (Hexagonal Bolt with Flange)	2	kr 4

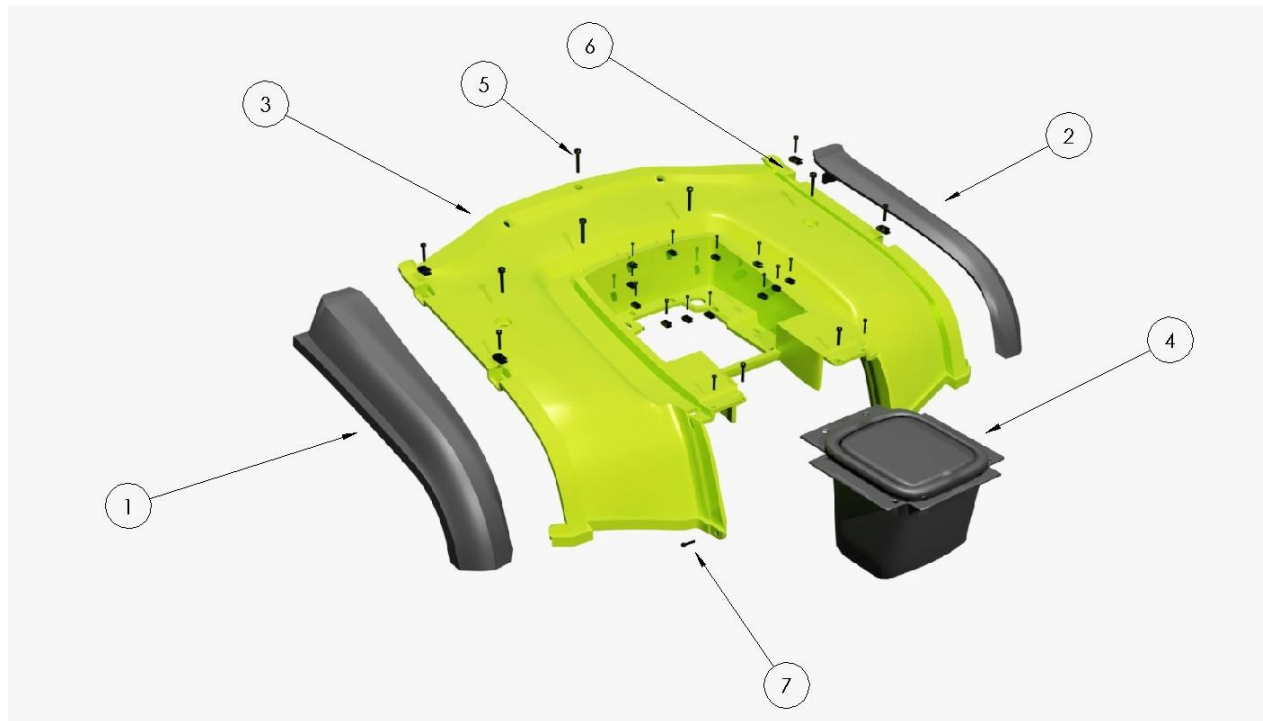
Vennligst les betingelser for kjøp



### Rear Fender

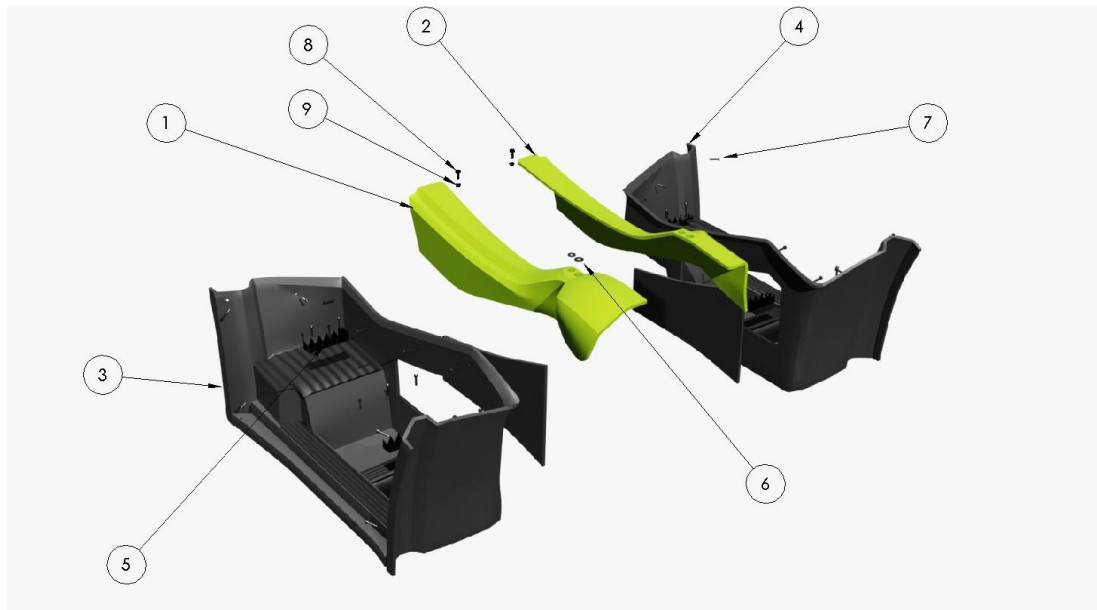
SR NO.	REF. NO.	PART NUMBER	DESCRIPTION	QTY.	Eksl. MVA
1	1	20220604	Rear Right Extended Fender	1	kr 283
2	2	20220605	Rear Left Extended Fender	1	kr 283
3	3	202206	Rear Fender	1	kr 3 032
3,1	5	FAS-S-11	M6 X10X1.0 (Cross Recessed Pan Head Screws	9	kr 3
3,2	6	FAS-N-15	M6 x 1.0 Clip Nut	14	kr 6
3,3	7	FAS-S-13	M6 X 20 X 1.0 (Cross Recessed Pan Head Screw	2	kr 5
3,4		FAS-N-06	M6 X 1.0 Lock Nut with Flange	2	kr 4
4	4	20220612	Storage Bag	1	kr 364
4,1	5	FAS-S-11	M6 X10X1.0 (Cross Recessed Pan Head Screws	8	kr 3

Vennligst les betingelser for kjøp



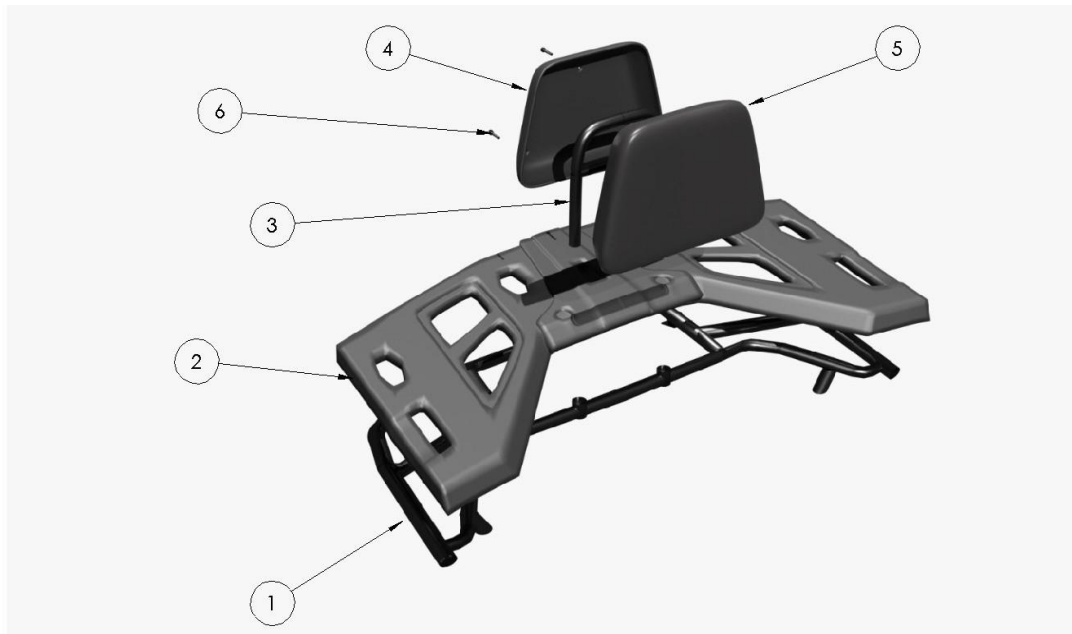
Side Panel Footrest					
SR NO.	REF. NO.	PART NUMBER	DESCRIPTION	QTY.	Eksl. MVA
1	1	202205	Side Panel RHS	1	kr 2 628
1,1	8	FAS-S-12	M6 X 16 X 1.0 (Cross Recessed Pan Head Screws)	3	kr 4
1,2		FAS-W-03	M6 Plain Washer, SS Grade	3	kr 3
2	2	202204	Side Panel LHS	1	kr 2 628
2,1	8	FAS-S-12	M6 X 16 X 1.0 (Cross Recessed Pan Head Screws)	3	kr 4
2,2		FAS-W-03	M6 Plain Washer, SS Grade	3	kr 3
3	3	202207	Foot Board Left	1	kr 3 638
3,1	8	FAS-S-12	M6 X 16 X 1.0 (Cross Recessed Pan Head Screws)	10	kr 4
3,2	7	FAS-S-13	M6 X 20 X 1.0 (Cross Recessed Pan Head Screws)	2	kr 5
4	4	202208	Foot Board Right	1	kr 3 638
4,1	8	FAS-S-12	M6 X 16 X 1.0 (Cross Recessed Pan Head Screws)	10	kr 4
4,2	7	FAS-S-13	M6 X 20 X 1.0 (Cross Recessed Pan Head Screws)	2	kr 5
5	5	20220701	Footrest Pegs/ Grips	4	kr 283
5,1	8	FAS-S-12	M6 X 16 X 1.0 (Cross Recessed Pan Head Screws)	8	kr 4
6	6	20220401	Rubber Grommett (8X25X8)	4	kr 2
6,1	8	FAS-S-12	M6 X 16 X 1.0 (Cross Recessed Pan Head Screws)	28	kr 4
6,2	9	FAS-N-06	M6 X 1.0 Lock Nut with Flange	28	kr 4

Vennligst les betingelser for kjøp



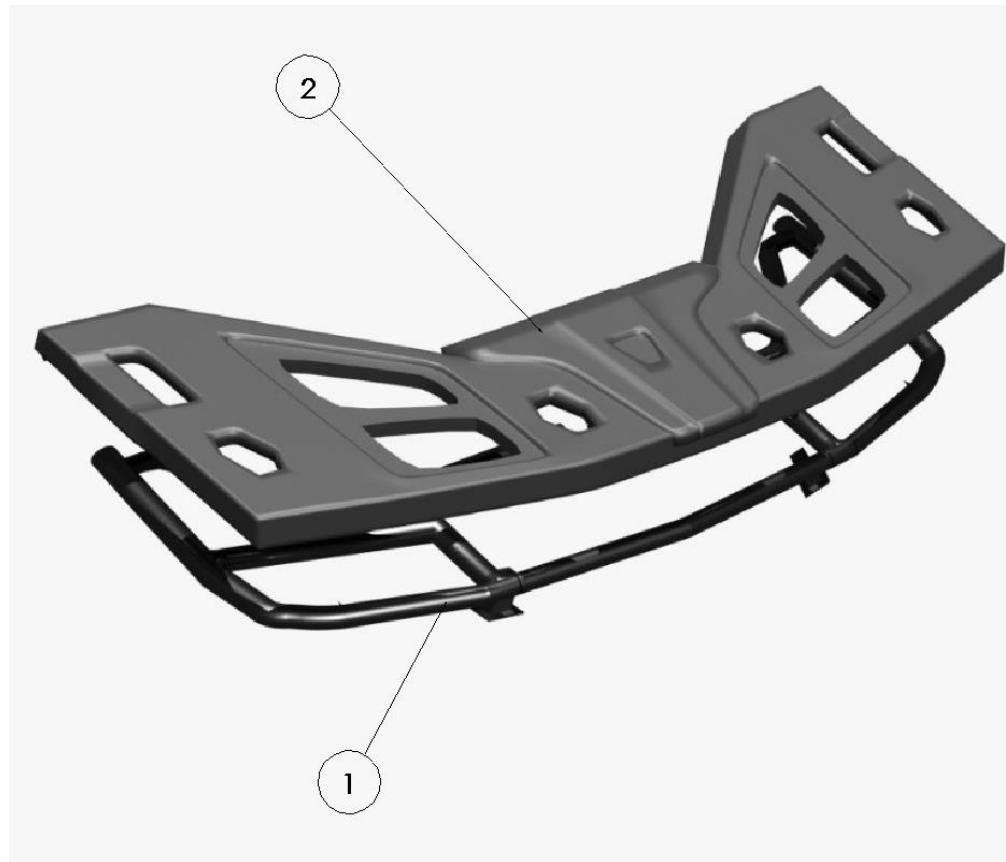
Backrest Rear Rack					
SR NO.	REF. NO.	PART NUMBER	DESCRIPTION	QTY.	Eksl. MVA
1	1	202402	Rear Rack Guard	1	kr 1 617
1,1		FAS-B-06	M8 X 20 X 1.25 (Hexagonal Bolt with Flange)	4	kr 9
1,2		FAS-B-01	M6 X 16 X 1.0 (Hexagonal Bolt with Flange)	2	kr 4
2	2	20240201	Rear Rack Guard Cover	1	kr 1 059
2,1		FAS-S-12	M6 X 16 X 1.0 (Cross Recessed Pan Head Sc	6	kr 4
3	3	202403	Backrest Stand	1	kr 348
3,1		FAS-N-07	M8X1.25 Plain Nut with Flange	4	kr 8
4	4	20240302	Backrest Cover	1	kr 162
4,1	6	FAS-S-09	M5 X 16 X 0.8(Cross Recessed Pan Head Ta	3	kr 4
5	5	20240301	Backrest	1	kr 429
5,1		FAS-B-06	M8 X 20 X 1.25 (Hexagonal Bolt with Flange)	2	kr 9

Vennligst les betingelser for kjøp



Front Rack					
SR NO.	REF. NO.	PART NUMBER	DESCRIPTION	QTY.	Eksl. MVA
1	1	202401	Front Rack Guard	1	kr 1 455
1,1		FAS-B-06	M8 X 20 X 1.25 (Hexagonal Bolt with Flange)	2	kr 9
1,2		FAS-B-07	M8 X 25 X 1.25 (Hexagonal Bolt with Flange)	2	kr 10
1,3		FAS-N-08	M8 X1.25 Lock Nut with Flange	2	kr 8
2	2	20240101	Front Rack Guard Cover	1	kr 1 059
2,1		FAS-S-12	M6 X 16 X 1.0 (Cross Recessed Pan Head S	6	kr 4

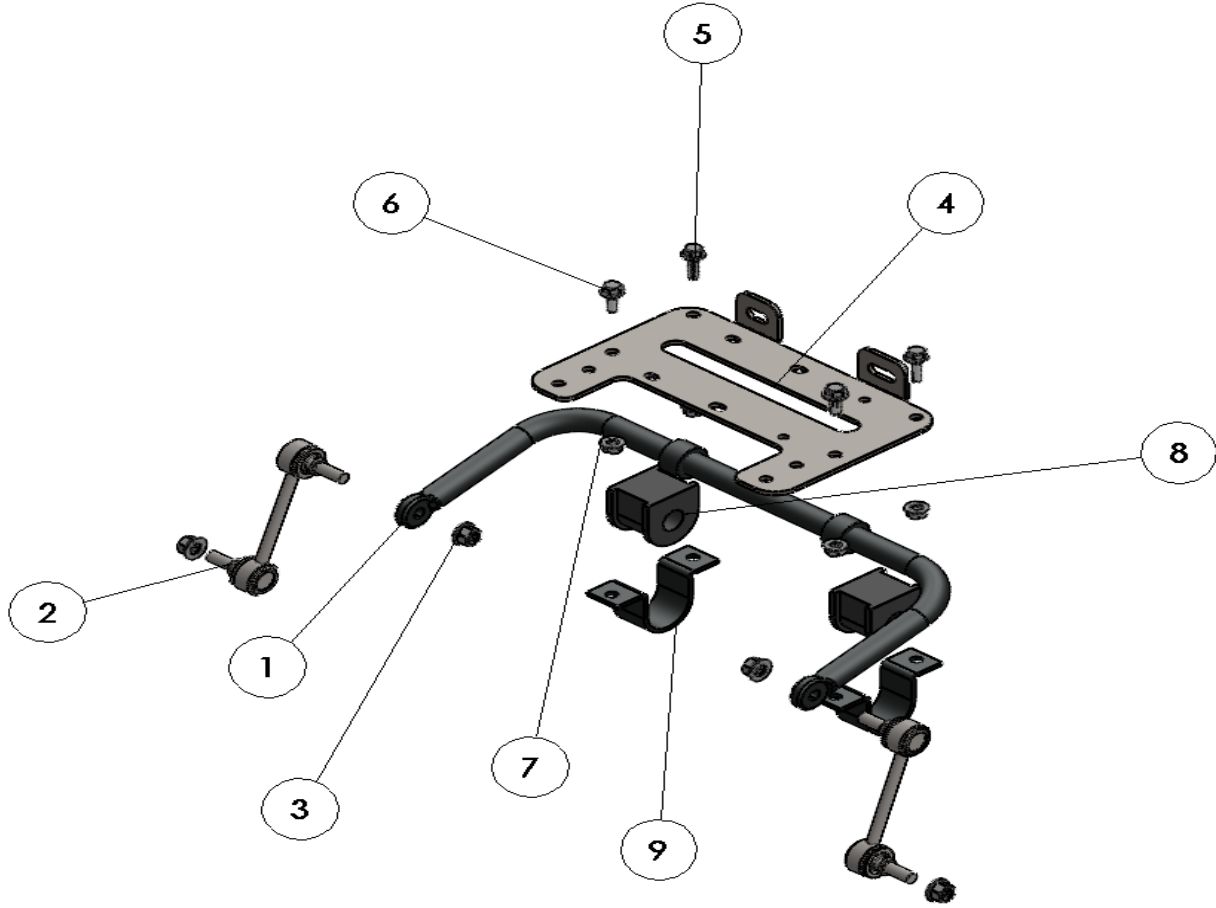
Vennligst les betingelser for kjøp



<b>Front Stabilizer Bar</b>					
<b>SR NO.</b>	<b>REF. NO.</b>	<b>PART NUMBER</b>	<b>DESCRIPTION</b>	<b>QTY.</b>	<b>Eksl. MVA</b>
1	1	200901	Stabilizer Bar	1	647
2	2	201701	Front Stabilizer Bar Linkages M10 x 88 mm	2	728
2,1	3	FAS-N-10	M10 X 1.25 Lock Nut with Flange	4	15
3	4	201501(A)	Winch Base	1	303
3,1	5	FAS-B-03	M6 X 25 X 1.0 (Hexagonal Bolt with Flange)	2	10
3,2	6	FAS-B-06	M8 X 20 X 1.25 (Hexagonal Bolt with Flange)	2	9
3,3	7	FAS-N-08	M8 X1.25 Lock Nut with Flange	4	8
4	8	200902	Front Stabilizer bar Bushes	2	49
5	9	200903	Front Stabilizer bar Bush Brackets	2	81

**Vennligst les betingelser for kjøp**

Front Stabilizer Bar





Braking System						
SR NO.	REF. NO.	PART NUMBER	DESCRIPTION	QTY.	PRICE in USD	Eksl. MVA
1	1	201201	Master Cylinder with Handbrake	1	32	kr 1 294
2	2	201202	Footbrake - Master Cylinder Assembly	1	32	kr 1 294
3	3	201208	Three-line Coupler	4	5	kr 202
4	4	201224	Brake Fluid Reservoir Assembly for Footbrake	1	3	kr 121
5	5	201217	Front Left Brake Calliper Assembly	1	42	kr 1 698
		201218	Front Right Brake Calliper Assembly	1	42	kr 1 698
		201219	Rear Left Brake Calliper Assembly	1	42	kr 1 698
		201220	Rear Right Brake Calliper Assembly	1	42	kr 1 698
6			Full braking assembly set	1	250	kr 10 106
7		201206	Brake Hose 1 for Handbrake	1	6	kr 243
8		201207	Brake Hose 2 for Handbrake	1	15	kr 606
9		201209	Front Left Handbrake Hose	1	12	kr 485
10		201210	Front Right Handbrake Hose	1	14	kr 566
11		201211	Rear Left Handbrake Hose	1	12	kr 485
12		201212	Rear Right Handbrake Hose	1	12	kr 485
13		201213	Front Left Footbrake Hose	1	14	kr 566
14		201214	Front Right Footbrake Hose	1	12	kr 485
15		201215	Rear Left Footbrake Hose	1	12	kr 485
16		201216	Rear Right Footbrake Hose	1	12	kr 485
17		201221	Brake Hose Mounting Clamps	8	0,3	kr 12
18		201222	Brake Hose 1 for Footbrake	1	10	kr 404
19		201223	Brake Hose 2 for Footbrake	1	15	kr 606
20		FAS-B-05	M8 X 15 X 1.25 (Hexagonal Bolt with Flange)	2	0,22	kr 9
21		FAS-N-08	M8 X1.25 Lock Nut with Flange	2	0,2	kr 8
22		FAS-B-09	M8 X 35 X 1.25 (Hexagonal Bolt with Flange)	4	0,35	kr 14
23		FAS-N-08	M8 X1.25 Lock Nut with Flange	3	0,2	kr 8
24		FAS-B-03	M6 X 25 X 1.0 (Hexagonal Bolt with Flange)	2	0,2	kr 8
25		FAS-B-01	M6 X 16 X 1.0 (Hexagonal Bolt with Flange)	1	0,15	kr 6
26		FAS-N-06	M6 X 1.0 Lock Nut with Flange	2	0,15	kr 6
27		FAS-B-06	M8 X 20 X 1.25 (Hexagonal Bolt with Flange)	4	0,22	kr 9
28		FAS-B-07	M8 X 25 X 1.25 (Hexagonal Bolt with Flange)	4	0,25	kr 10
29		FAS-W-04	M8 Plain Washer, SS Grade	8	0,2	kr 8
30	7	FAS-W-05	M8 SPRING WASHER (8.8 Grade)	8	19	kr 768

31	10	GN-01	Grease Nipple M5	1	0,46	kr	19
32	8	201205	Brake pedal bushing Bolt M10 X 55 X 1.25	1	2,5	kr	101
33	9	201204	Pedal Rubber Grip	1	2	kr	81
34		20121701	Brake Pad Set	4	6	kr	243
35			Hand Brake switch	1	1	kr	40

Vennligst les betingelser for kjøp

Braking System

